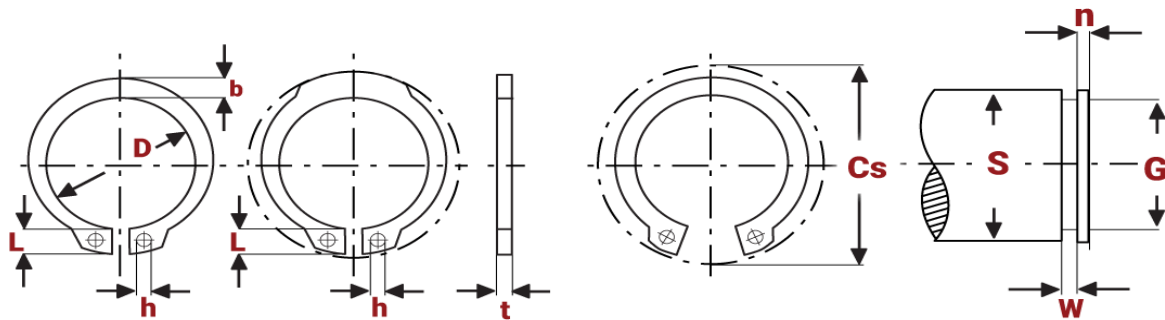


# Dynatek Tools And Hardware

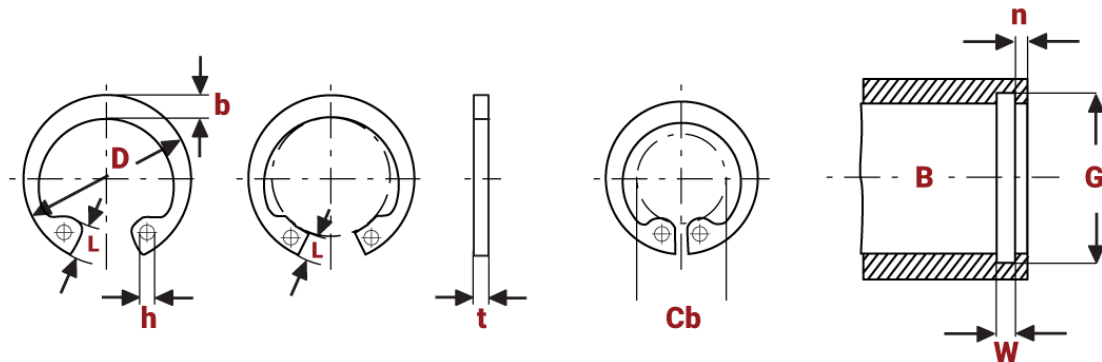


## EXTERNAL CIRCLIPS DIN - 472 – IS -3075

Size MM G	Thickness MM t	I.D. MM D	Price per 100 NOS
4	0.4	3.7	160
5	0.6	4.7	160
6	0.7	5.6	160
7	0.8	6.5	170
8	0.8	7.4	175
9	1.0	8.4	180
10	1.0	9.3	190
11	1.0	10.2	200
12	1.0	11.0	200
13	1.0	11.9	210
14	1.0	12.9	220
15	1.0	13.9	230
16	1.0	14.7	250
17	1.0	15.7	260
18	1.2	16.5	270
19	1.2	17.5	330
20	1.2	18.5	360
21	1.2	19.5	360
22	1.2	20.5	390
24	1.2	22.5	425
25	1.2	23.2	425
26	1.2	24.9	510
28	1.5	25.9	520
30	1.5	27.9	565
32	1.5	29.6	715
34	1.5	31.4	715
35	1.5	32.2	880
36	1.5	33.2	880
38	1.5	35.2	880
40	1.75	36.5	975
42	1.75	38.5	1010

Size MM G	Thickness MM t	I.D. MM D	Price per 100 NOS
45	1.75	41.5	1170
47	1.75	43.5	1365
48	1.75	44.5	1495
50	2.0	45.8	1820
52	2.0	47.8	2080
55	2.0	50.8	2275
58	2.0	53.8	2730
60	2.0	55.8	2800
62	2.0	57.8	2860
65	2.5	60.8	3185
68	2.5	63.5	3770
70	2.5	65.5	3900
72	2.5	67.5	4550
75	2.5	70.5	4700
78	2.5	73.5	4950
80	2.5	74.5	5200
82	3.0	76.5	5450
85	3.0	79.5	6050
90	3.0	84.5	7300
95	3.0	89.5	7800
100	3.0	94.5	9100
105	4.0	98.0	9600
110	4.0	103.0	1140
115	4.0	108.0	13500
120	4.0	113.0	13700
125	4.0	118.0	16300
130	4.0	123.0	18900
135	4.0	128.0	19500
140	4.0	134.0	22100
145	4.0	138.0	23400
150	4.0	142.0	25400

# Dynatek Tools And Hardware



## INTERNAL CIRCLIPS DIN – 472 – IS – 3075

Size MM G	Thickess MM t	I.D. MM Cb	Price per 100 NOS
8	0.8	8.70	170
9	0.8	9.80	170
10	1.0	10.80	170
11	1.0	11.80	170
12	1.0	13.00	170
13	1.0	14.10	175
14	1.0	15.10	180
15	1.0	16.20	190
16	1.0	17.30	200
17	1.0	18.30	200
18	1.0	19.50	200
19	1.0	20.50	210
20	1.0	21.50	230
21	1.0	22.50	290
22	1.0	23.50	290
24	1.2	25.90	300
25	1.2	26.90	300
26	1.2	27.90	310
28	1.2	30.10	310
30	1.2	32.10	330
32	1.2	34.40	350
34	1.5	36.50	490
35	1.5	37.80	490
36	1.5	38.80	520
38	1.5	40.80	550
40	1.75	43.50	660
42	1.75	45.50	680
45	1.75	48.50	740

Size MM G	Thickess MM t	I.D. MM Cb	Price per 100 NOS
47	1.75	50.50	830
48	1.75	51.50	975
50	2.00	54.20	1050
52	2.00	56.20	1200
55	2.00	59.20	1550
58	2.00	62.20	1700
60	2.00	64.20	1700
62	2.00	66.20	1750
65	2.50	69.20	2375
68	2.50	72.50	2550
70	2.50	74.50	2600
72	2.50	76.50	2800
75	2.50	79.50	3200
78	2.50	82.50	3500
80	2.50	85.50	4000
82	2.50	87.50	4750
85	3.00	90.50	4900
90	3.00	95.50	5000
95	3.00	100.50	5100
100	3.00	106.50	5600
105	4.00	112.50	6400
110	4.00	117.00	7200
120	4.00	122.00	7800
125	4.00	127.00	8100
130	4.00	132.00	9750
135	4.00	137.00	10500
140	4.00	142.00	13000
145	4.00	147.00	13000

# Dynatek Tools And Hardware